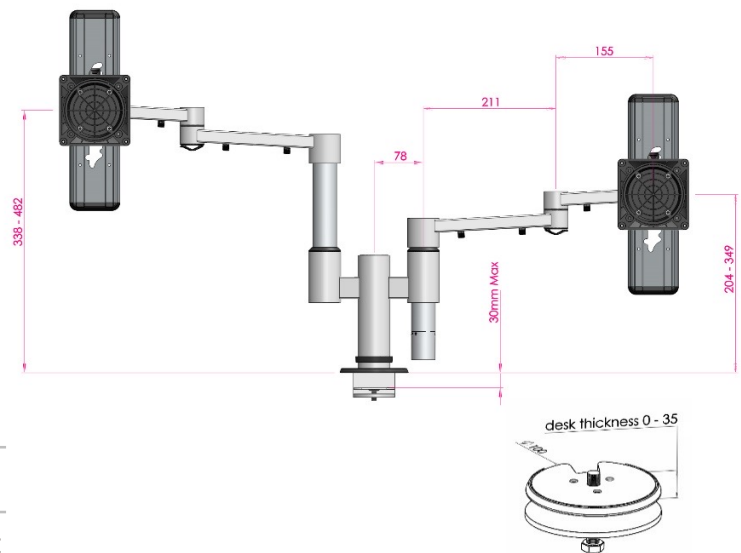


XSTREAM dual screen solution – 2 x dual beam arms with front end ratchet adjustment



Product Specification

Product code	XSTREAM2COMB02WR - white
Weight capacity	10kg per arm
Max screen size	30" (2 x 30")
Max forward extension	Dependent on screen size
VESA	75mm & 100mm VESA compliant
Movement	Height adjustment, tilt, swivel, rotation and reach
Height adjustment	Max height adjustment 420mm from desk top
Fixings	Supplied with baby-c and through-desk as standard

Additional Information

Dual beam arm with manual height adjustment

Additional +/- 70mm available with ratchet mechanism

Lockable quick release VESA function

Compact – folds back into a space of 40mm

Silver – XSTREAM2COMB02SR - RAL code 9006

White – XSTREAM2COMB02WR - RAL code 9010

Black – XSTREAM2COMB02BR - RAL code 9005

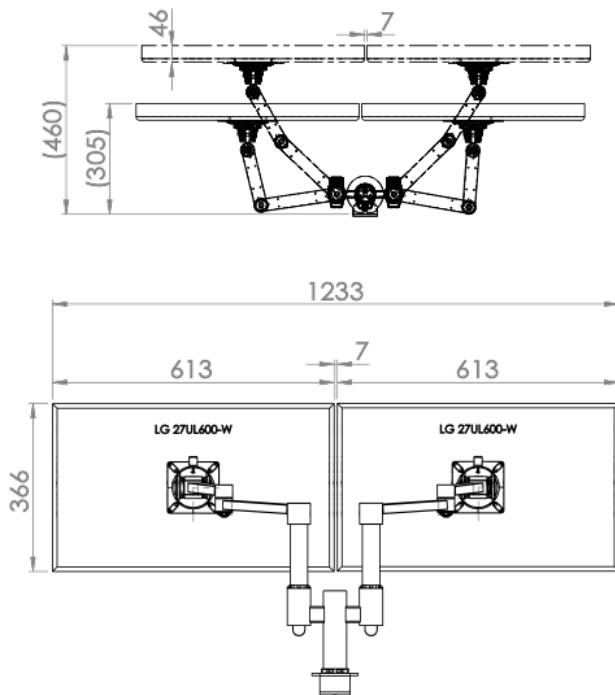


Ergo
 01235 773373
 www.ergold.co.uk
 sales@ergold.co.uk

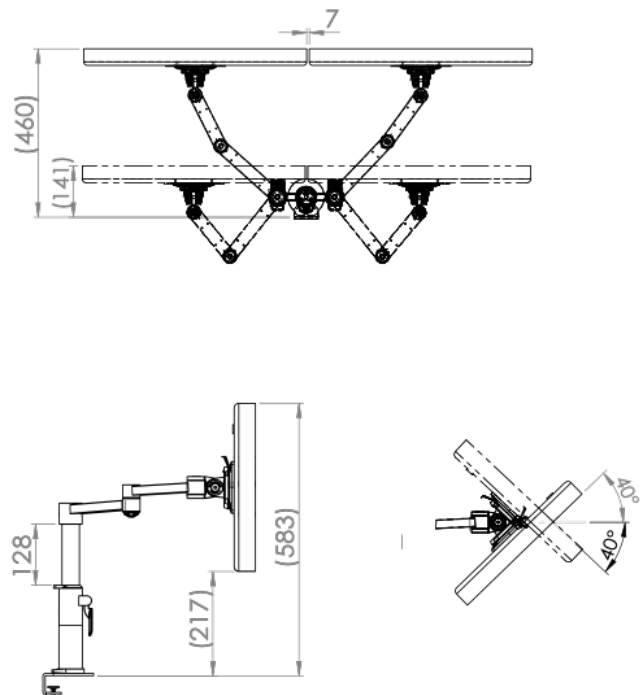
XSTREAM dual screen solution – Line Drawings

27" Screen Example

a. Having a partition/obstacle behind the monitor arm

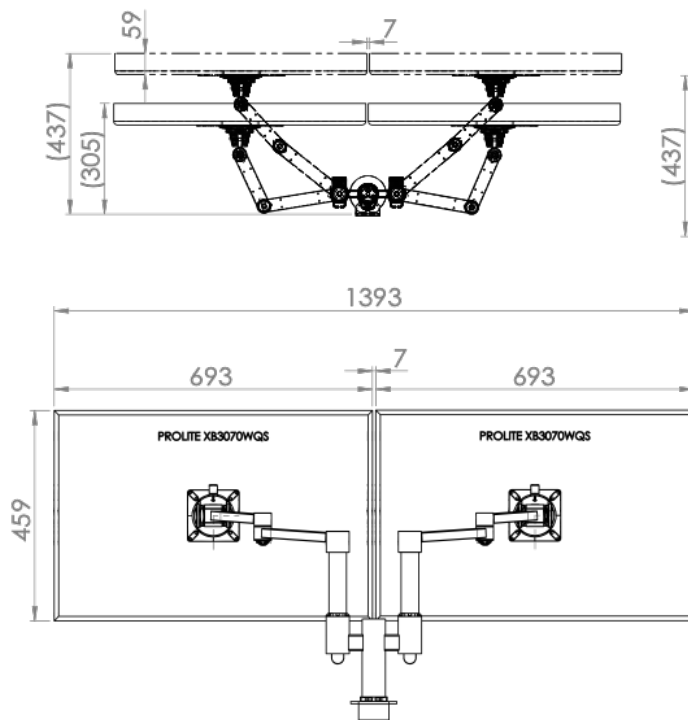


b. no partition/obstacle behind the monitor arm



30" Screen Example

a. Having a partition/obstacle behind the monitor arm



b. no partition/obstacle behind the monitor arm

